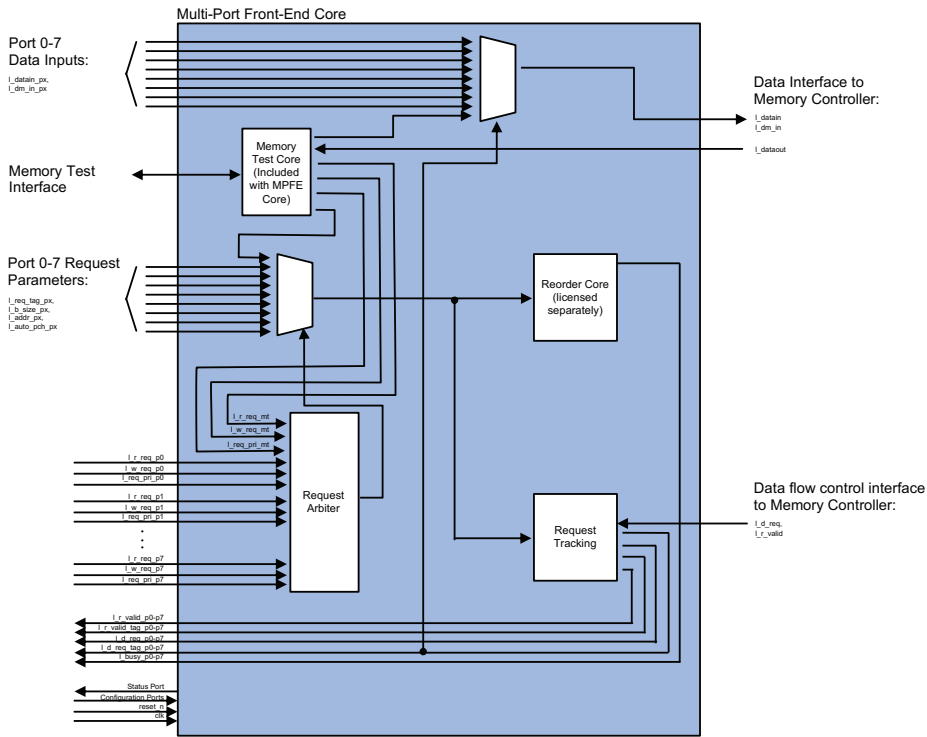


Multi-Port Front-End Core

The Northwest Logic Multi-Port Front-End core provides a multi-port interface to Northwest Logic Memory Controller cores.

Multi-Port Front-End Block Diagram



Highlights

- Provides a multi-port interface to Memory Controller cores
- Supports up to 8 user ports
- Prevents request stalling using request timeout
- Achieves high clock rates with minimal routing constraints
- Minimal ASIC gate count
- Source code available
- Customization and integration services available

Deliverables

- Core (source code)
- Testbench (source code)
- Complete documentation
- Expert technical support
- Maintenance updates

Overview

Northwest Logic's Multi-Port Front-End core provides a multi-port interface to Northwest Logic's Memory Controller cores.

Each user request is provided with its own request priority. The arbiter selects requests based on priority and then round robin arbitration. Each port also has a programmable time out period. A timed-out request is given highest level priority ensuring its quick execution.

Northwest Logic also provides IP Core customization services.

rambus.com/controllers

