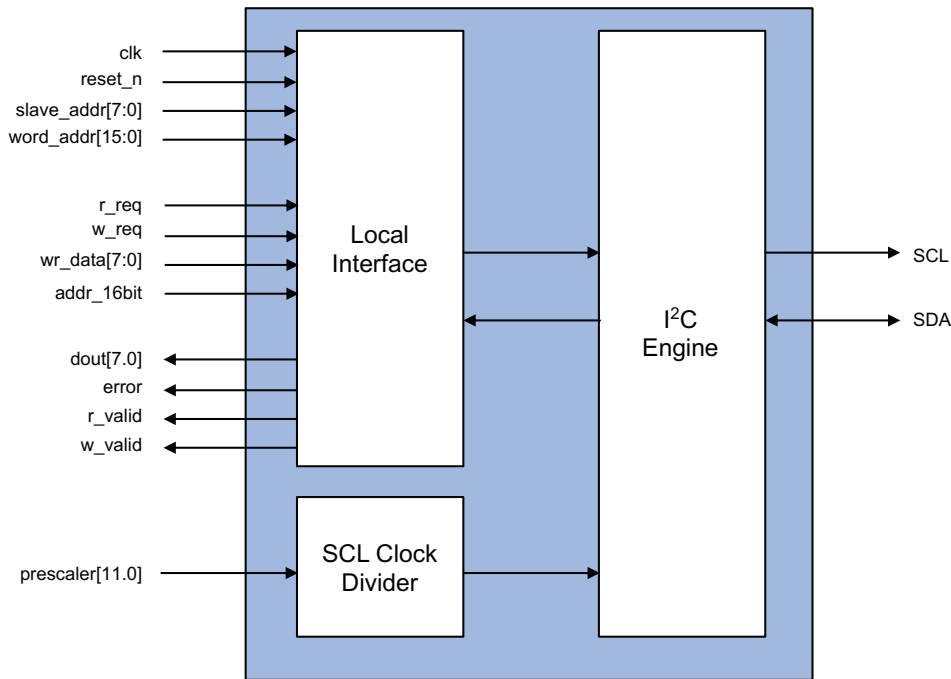


I²C Controller Core

The Northwest Logic I²C Controller Core eliminates the extra logic and complexity of standard I²C controllers to provide a core which is compact, easy to use and customizable.

I²C Controller Block Diagram



Highlights

- Ideal for Serial Presence Detection (SPD) and other I²C applications
- Compact
- Easy to use
- Supports Master/Slave operation
- Simple user interface
- Supports Fast and Standard Modes
- 8 and 16-bit addressing
- Can directly connect to Tx and Rx FIFOs
- Source code available

Deliverables

- Core (source code)
- Testbench (source code)
- Complete documentation
- Expert technical support
- Maintenance updates

Overview

The Northwest Logic I²C Controller Core eliminates the extra logic and complexity of standard I²C controllers providing a core which is compact, easy to use and customizable.

The core is ideal for performing Serial Presence Detection (SPD) of a memory module and connecting to other I²C devices such as EEPROMs and A/D and D/A converters.

The core supports master and slave operation of an I²C compatible serial bus including Standard and Fast Mode operation. The core also supports 8 and 16-bit addressing.

IP core customization and integration services are available.

Features

- Ideal for Serial Presence Detection (SPD) and other I²C applications
- Compact
- Easy to use
- Supports Master/Slave operation
- Simple user interface
- Supports Fast and Standard Modes
- 8 and 16-bit addressing
- Can directly connect to Tx and Rx FIFOs
- Source code available
- Broad range of ASIC and FPGA platforms supported
- Customization and integration services available

rambus.com/controllers

